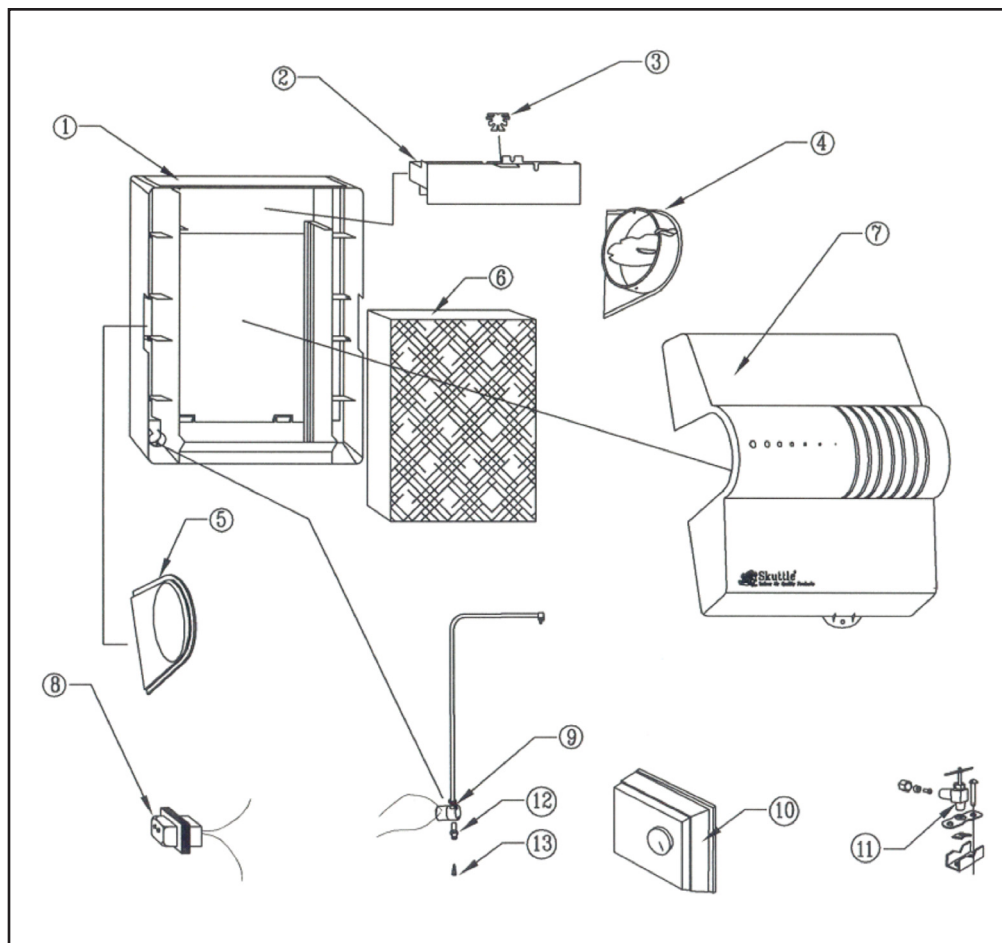


Models 2000 and 2100

Replacement Parts Diagram and Parts List



| Key No. | Part No. | Std. Pkg. | Description |
|-----------|--------------|-----------|--|
| 1 | 000-1730-094 | 1 | Mounting Base |
| 2 | 000-0602-055 | 1 | Drip Tray |
| 3 | 000-1317-091 | 1 | Wick |
| 4 | A00-1730-124 | 1 | Side Piece w/Damper Assembly |
| 5 | 000-1730-089 | 1 | Solid Side Piece |
| 6 | A04-1725-052 | 12 | Replacement Media w/Wick |
| 7 | A00-0641-171 | 1 | Cover (w/Label, Screw & Retaining Washer) |
| 8 | 000-0814-008 | 1 | Transformer (24V, 10VA, 120V Primary) |
| 9 | A01-0814-148 | 1 | 24 Volt Solenoid (Universal Kit) |
| 10 | SK0-0055-001 | 1 | Humidistat Assembly for 2000 |
| 10 | SEH-7100-000 | 1 | Automatic Humidistat for 2100 |
| 11 | A00-1128-005 | 1 | Saddle Valve |
| 12 | 000-1106-037 | 1 | Orifice Fitting w/Filter (#13), Compression Nut & Ferrule |
| 13 | 000-1319-051 | 1 | Inline Filter |
| Not Shown | K00-2000-000 | 1 | Small Parts Kit (w/Cover Screw & Retainer, Water Feed Tube, 90° Brass Elbow, Elbow Retainer and Screw) |