

Models 2001 and 2101

High-Capacity Bypass Flow-Thru Humidifiers Superb Choices for Warm-Air Heating Systems



Model 2001 includes a standard Manual Humidistat.

Model 2101 includes a *Compustat* Automatic Humidifier Control.



Compustat is an electronic compensating humidistat which automatically adjusts the humidifier output to compensate for changes in outdoor temperature. It helps prevent over-humidification in the event of a sudden outside temperature drop.

Installation Package includes mounting template/installation instructions, humidistat (right), self-piercing saddle valve, transformer and homeowner's manual.

Important: When installing Model 2001 or 2101 on a system with a multi-speed blower motor or operating voltage other than 120 volts AC, it is strongly recommended that the unit be wired with a Skuttle A50 Relay to prevent transformer failure.

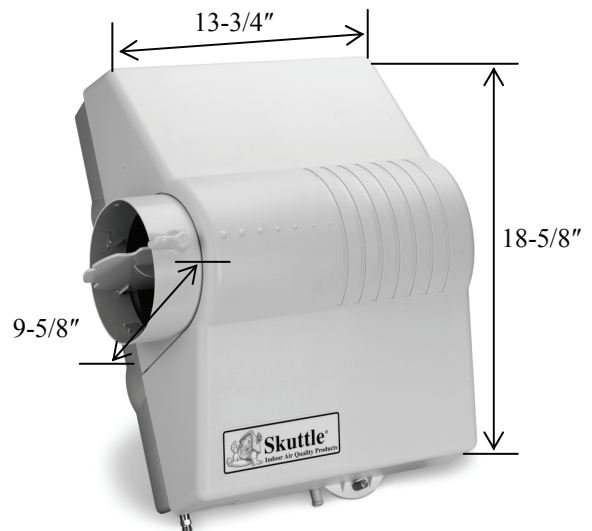
Moisture Output Capacity

Warm Air Duct Temperature °F	Pounds per Hour	Gallons per Day
120°	6.26	18.0
110°	5.74	16.5
100°	5.22	15.0

Size Specifications

- Dimensions.....(See photo, right)
- Plenum Opening..... 16-5/8" high x 10-5/8" wide
- Bypass Opening..... 6" dia. (bypass tubing not supplied)
- Solenoid 24 VAC
- Water Supply Tubing 1/4" OD Copper (not supplied)
- Water Drain Tubing..... 1/2" ID (not supplied)
- Evaporator Pad 16-5/8" high x 9-7/8" wide x 1-9/16" thick
(Evaporator Pad Replacement No. A04-1725-051)

- NOTE:** Ratings and calculations are in compliance with ARI Formula 610:
- Ceiling Height..... 8 feet
 - Bonnet Temperature 120°F
 - Return Air 75°F, 30% RH
 - Total Static Pressure 0.20 inches



U.S. Patent Nos. 5,851,444 and 5,932,148

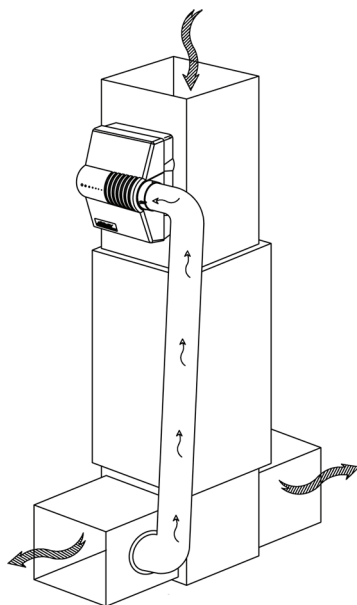
Skuttle Indoor Air Quality Products • *A World of Whole-House Solutions for Today's IAQ ChallengesSM*

Phone: 888-SKUTTLE (758-8853) • Email: techservice@skuttle.com • Web: www.goskuttle.com

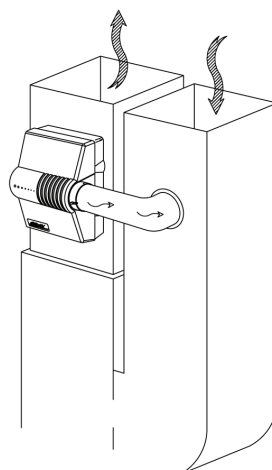
2001/2101 Features & Benefits

- **Compact width** fits plenums as narrow as 14"
- **Low profile** makes unit ideal where space is limited
- **Shutoff Damper** reduces airflow in summer, allowing the air conditioner to run more efficiently and economically
- **Reversible side panels** permit left- or right-side bypass installation
- **Superior, patented wicking and water distribution system** accommodates non-level plenums
- **Frameless evaporator pad** avoids breakage common to brands with plastic frames
- **Internal solenoid** resists damage from bumping
- **Stainless steel orifice** won't break; cleans easily
- **Thermoplastic cabinet** resists rust, corrosion and warpage
- **Barbed drain fitting** prevents hose from slipping
- **Energy efficient technology** uses minimal water and electricity
- **Extended 5-year limited warranty** (excludes pad)
- **Output capacity** of 18 gallons per day at 120°F

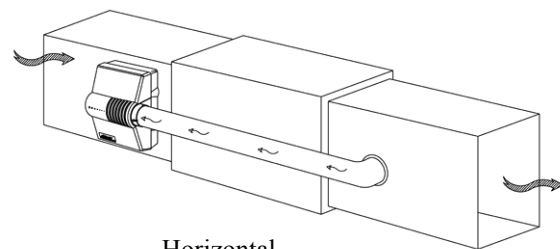
Typical Installations



Down-Flow



Up-Flow



Horizontal

Home/Humidifier Sizing Chart

Maximum Home Size	Tight House	Average House	Loose House
Total Sq. Ft.	4,286	2,727	1,957
Total Cu. Ft.	34,286	21,818	15,652

Tight House = Insulated walls and ceilings; vapor barriers; weather stripping on doors and windows; snug doors, windows and fireplace damper. One-half air change per hour.

Average House = Insulated walls and ceilings; vapor barriers; loose doors, windows and fireplace damper. One air change per hour.

Loose House = No insulation, storm doors, storm windows, weather stripping or vapor barriers. Two air changes per hour.

NOTE: Due to Skuttle's continuing research, design specifications and components are subject to change without notice.