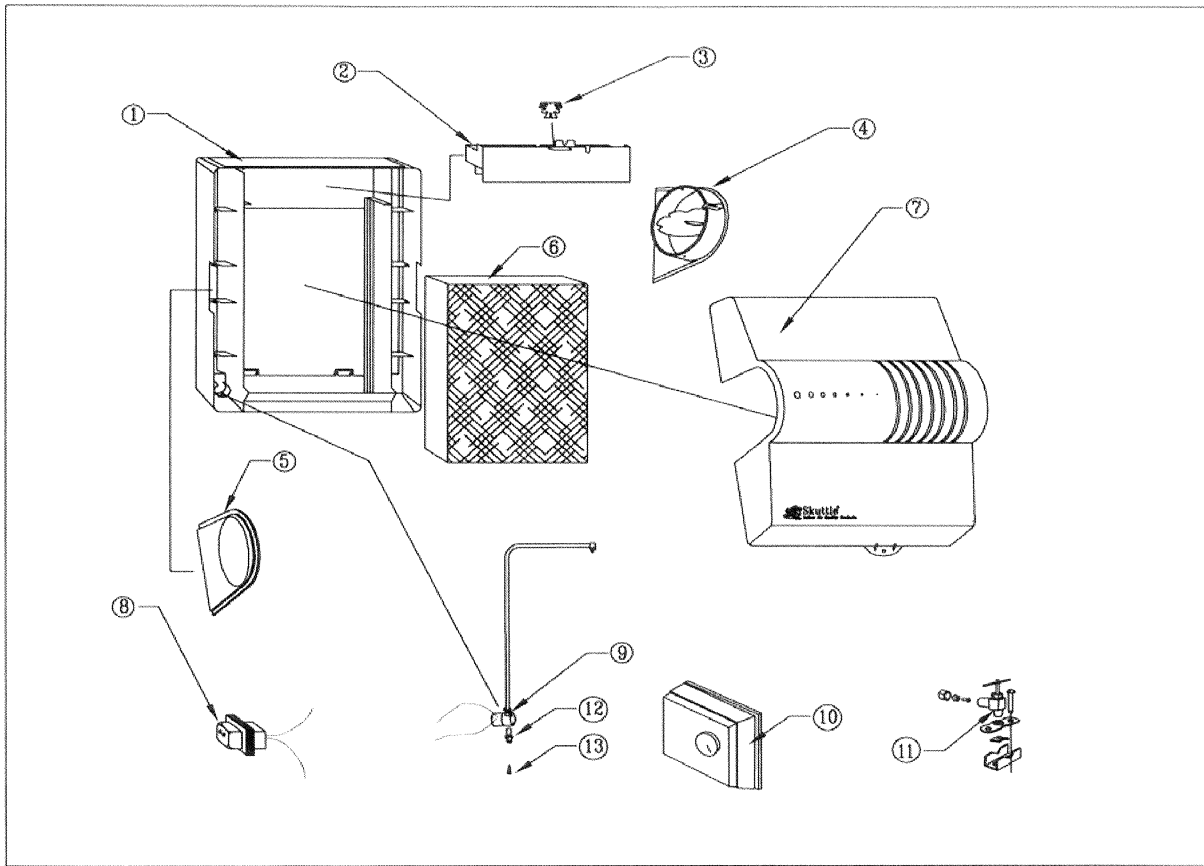


## Model 2000 and 2100 Replacement Parts



| Key Number | Part Number  | Standard Package | Description  |
|------------|--------------|------------------|--|
| 1          | 000-1730-094 | 1                | Mounting Base  |
| 2          | 000-0602-055 | 1                | Drip Tray  |
| 3          | 000-1317-091 | 1                | Wick   |
| 4          | A00-1730-124 | 1                | Side piece with Damper Assembly  |
| 5          | 000-1730-089 | 1                | Solid Side Piece   |
| 6          | A04-1725-052 | 12               | ** Replacement Media with Wick   |
| 7          | A00-0641-171 | 1                | Cover (Includes Label, Screw, & Retaining Washer)  |
| 8          | 000-0814-008 | 1                | Transformer<br>24V, 10VA, 120V Primary   |
| 9          | A01-0814-148 | 1                | 24 Volt Solenoid (Universal Kit)   |
| 10         | SK0-0055-001 | 1                | Humidistat Assembly for 2000   |
| 10         | SEH-7100-000 | 1                | Automatic Humidistat for 2100  |
| 11         | A00-1128-005 | 1                | Saddle Valve   |
| 12         | 000-1106-030 | 1                | Orifice Fitting, Includes Filter (Key #13) Compression Nut and Ferrule   |
| 13         | 000-1319-051 | 1                | Inline Filter  |
| Not shown  | K00-2000-000 | 1                | Small Parts Kit<br>( Includes: Cover Screw & Retainer, Water Feed Tube, 90° Brass Elbow, Elbow Retainer & Screw) |